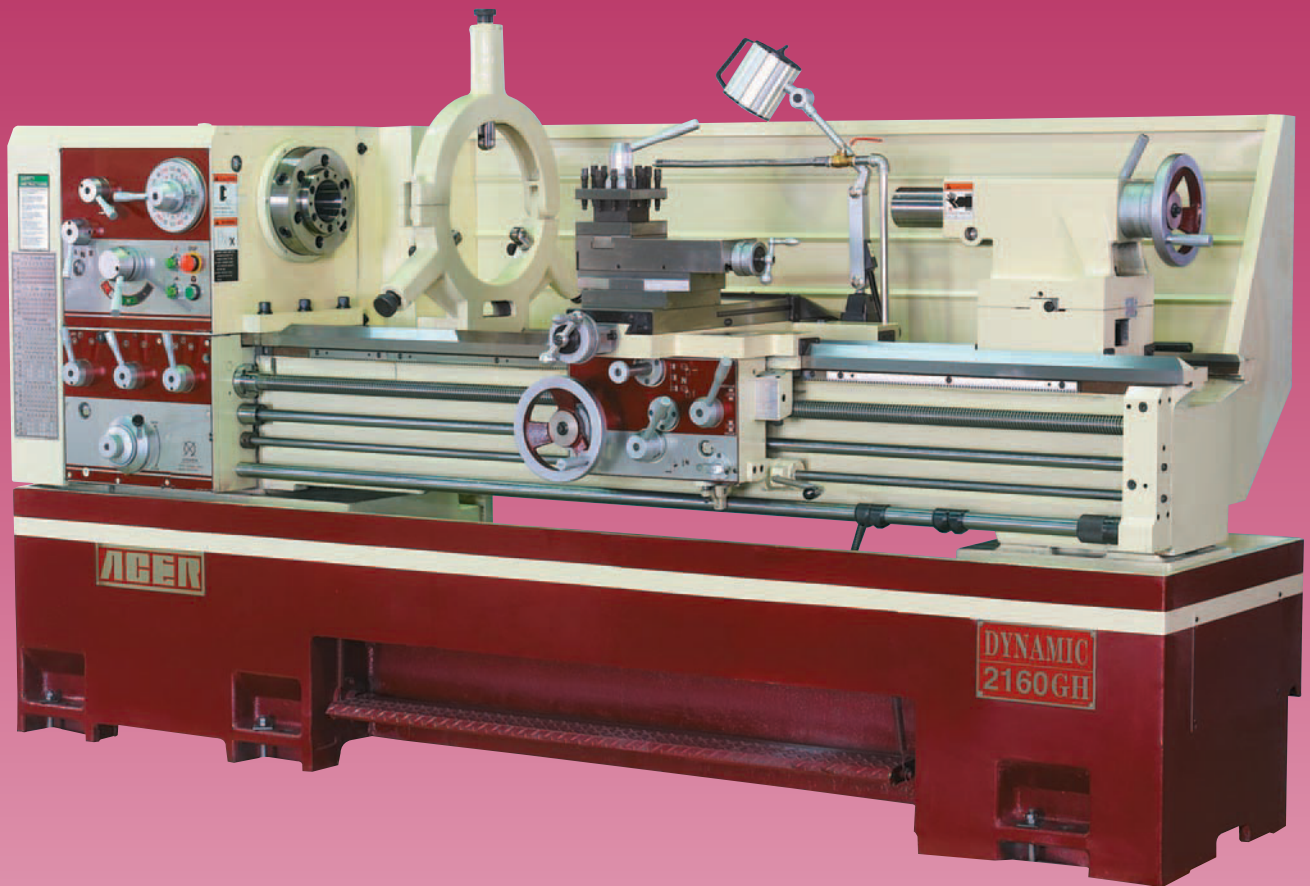




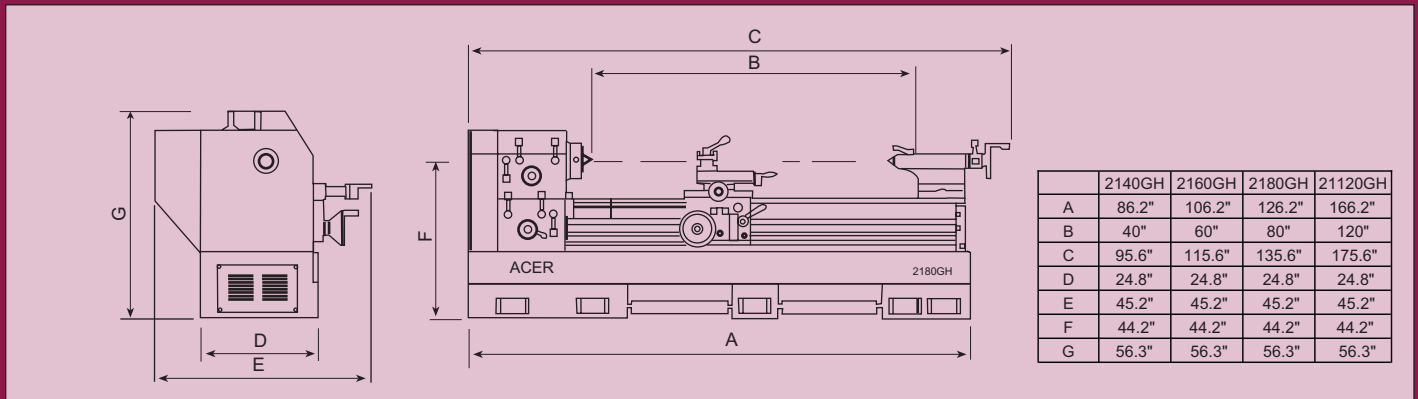
Technology • Creativity • Reliability
An Unswerving Commitment to Excellence

HIGH SPEED PRECISION ENGINE LATHE

Dynamic 21" Series



2160GH



SPECIFICATIONS

ITEM	MODEL	2140GH	2160GH	2180GH	21120GH
General Capacity	Center height	10.62"			
	Max. swing over bed	21.25"			
	Max. swing over gap	26.77"			
	Max. swing over cross slide	14.17"			
	Distance between centers	39.37"	59"	78.74"	118.11"
Main Spindle	Spindle nose	D1-8			
	Spindle bore	3.34"			
	Spindle speeds	25 ~ 1545 rpm / 18 steps			
Carriage	Cross slide travel	12.99"			
	Compound rest travel	5.90"			
	Tailstock spindle dia.	2.95"			
	Tailstock spindle travel	6.69"			
	Tailstock spindle taper	MT#5			
Bed	Bed width	13.77"			
	Leadscrew	4TPI or 6mm/pitch			
	Metric pitch threads	0.5-7mm/pitch (24 kinds)			
	Inch threads	4-56 TPI (36 kinds)			
	Module pitch threads	0.25-3.5 (16 kinds)			
	DP threads	8-112DP (36 kinds)			
Feeding Range	Range of longitudinal feeds	0.002" ~ 0.035"/rev. / 0.06 ~ 0.88mm/rev.			
	Range of cross feeds	0.001" ~ 0.0175"/rev. / 0.03-0.44mm/rev.			
Motor	Main spindle motor	10HP			
	Rapid feed motor	90W (opt.)			
	Coolant pump motor	1/8HP			
Net Weight		5290 lbs	5950 lbs	6830 lbs	7050 lbs
Gross Weight		5940 lbs	6600 lbs	7480 lbs	7920 lbs
Packing Dimensions		91" x 48" x 67"	111" x 48" x 67"	130" x 48" x 67"	170" x 48" x 67"

Note: The manufacture reserves the right to modify the design, specifications, mechanisms, etc. to improve the performance of machine without notice.

STANDARD ACCESSORIES

- | | | |
|-----------------------|---|----------------------------|
| 1. Gap Bed | 5. Touch-up Paint | 9. Followable Splash Guard |
| 2. Built In Coolant | 6. Steady Rest | (21120GH) |
| 3. One Face Plate | 7. Halogen Light | 10. Tool Box W/Tools |
| 4. Four Way Tool Post | 8. Full Length Splash Guard
(2140GH/2160GH/2180GH) | 11. Operational Manual |

Website: <http://www.aceronline.net>

SPRINGWOOD INDUSTRIAL, INC. **KLIM INDUSTRIAL, INC.**

TAIWAN FACTORY

1062 N. Kraemer Place

244 N. Randolphville Rd.

No. 101, 506 Lane Seng Tso Rd.

Anaheim, CA 92806

Piscataway, NJ 08854

Seng Karng Sharng, Taichung County, Taiwan

Tel: (714) 632-9701

Tel: (732) 752-9100

Tel: (01) 886-4-25204120

Fax: (714) 632-9730

Fax: (732)-752-9101

Fax: (01) 886-4-25204123

E-mail: info@aceronline.net

E-mail: acer_klim@yahoo.com

E-mail: acer.group@msa.hinet.net